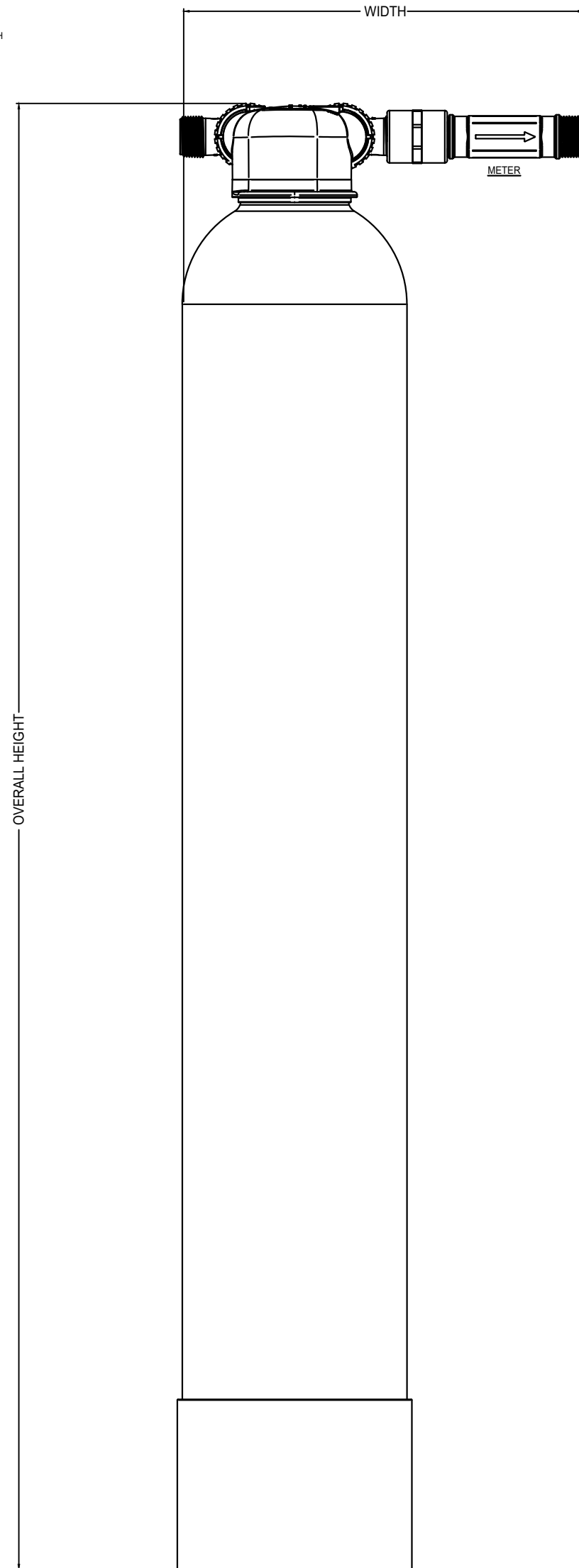
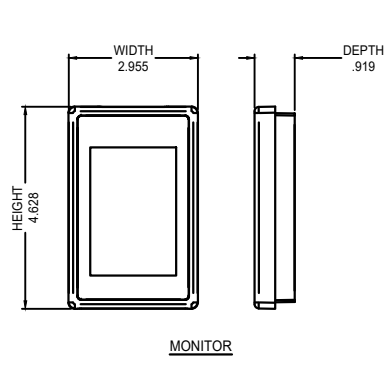
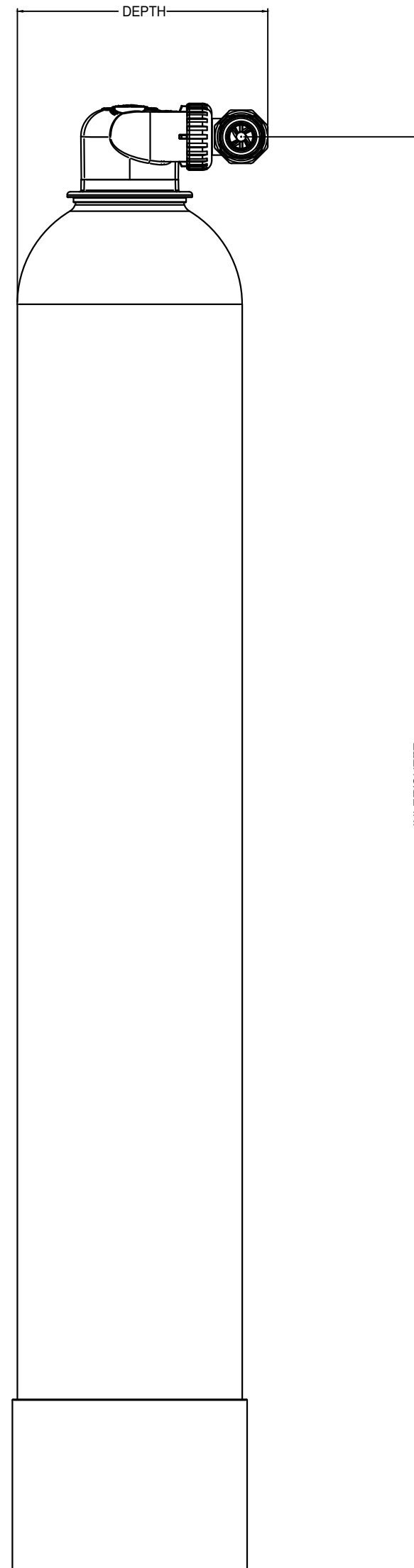


ONEFLOW® MODELS OF744-EK, OF844-EK, OF948-EK, OF1054-EK

MODEL NO.	ORDERING CODES	INLET	OUTLET	OVERALL HEIGHT	OVERALL DEPTH	OVERALL WIDTH
OF744-10-EK	0002420	47.00	47.00	48.5	8.0	13.0
OF844-12-EK	0002421	47.00	47.00	48.5	8.5	13.5
OF948-16-EK	0002422	51.00	51.00	51.5	9.0	14.0
OF1054-20-EK	0002423	56.50	56.50	57.5	10.0	14.5



FRONT VIEW



SIDE VIEW

NOTE:
DIMENSIONS ARE SUBJECT TO CHANGE WITHOUT NOTICE

CONFIDENTIAL & PROPRIETARY

This Document including all information contained thereon is the exclusive and confidential property of Watts Water Technologies. This Document and its information are not to be copied, reproduced or delivered to others in whole or part without the expressed written consent and is loaned subject to return on demand. All rights to design and invention are reserved.



ONEFLOW® MODELS OF744-EK,
OF844-EK, OF948-EK, OF1054-EK

DRAWN BY:	J.RIVAS
SCALE:	NOT TO SCALE
DATE:	12/13/2021
DWG No.	ONEFLOW SERIES