



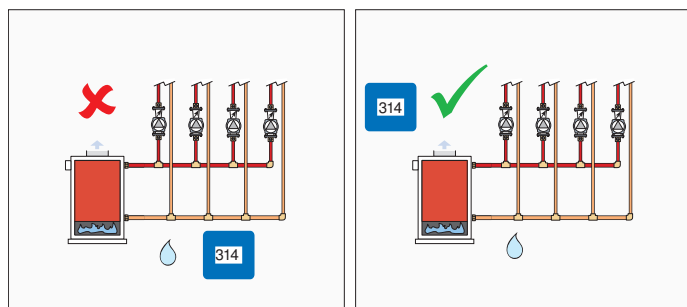
Zoning

Q314

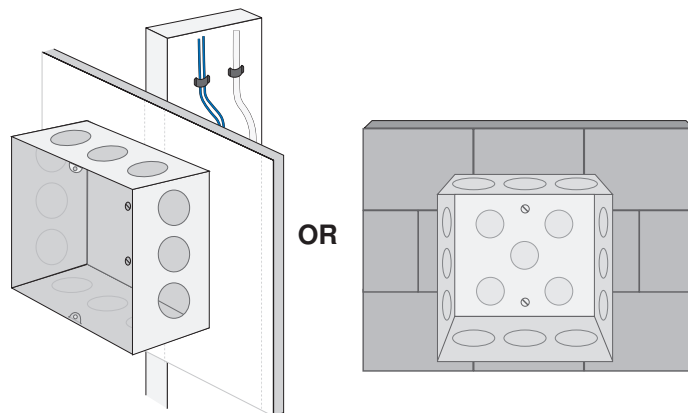
11/10

Replaces: 04/09

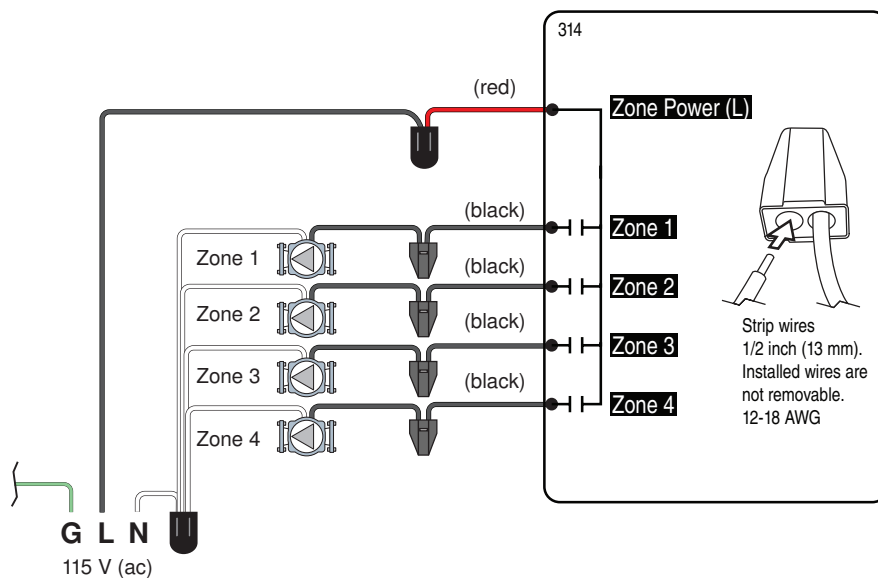
1. Location



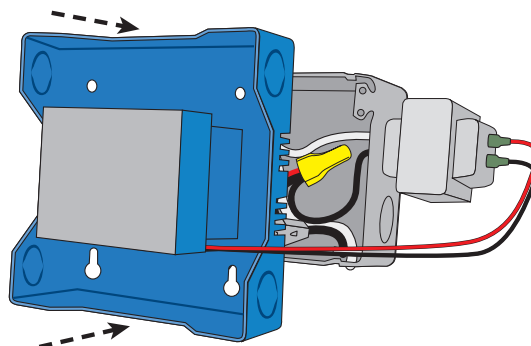
2. Install Junction Box



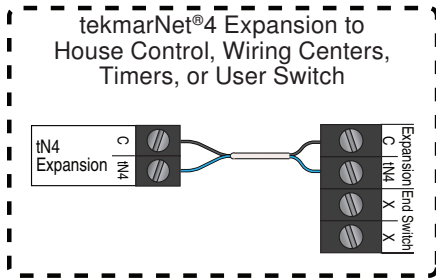
3. Line Voltage Wiring



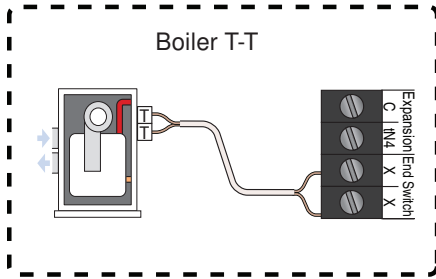
4. Install Enclosure



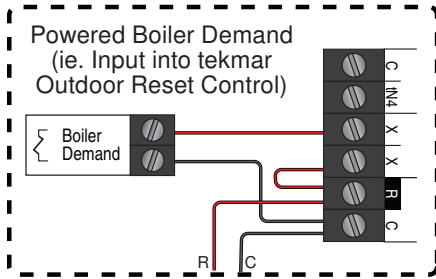
5. Low Voltage Wiring



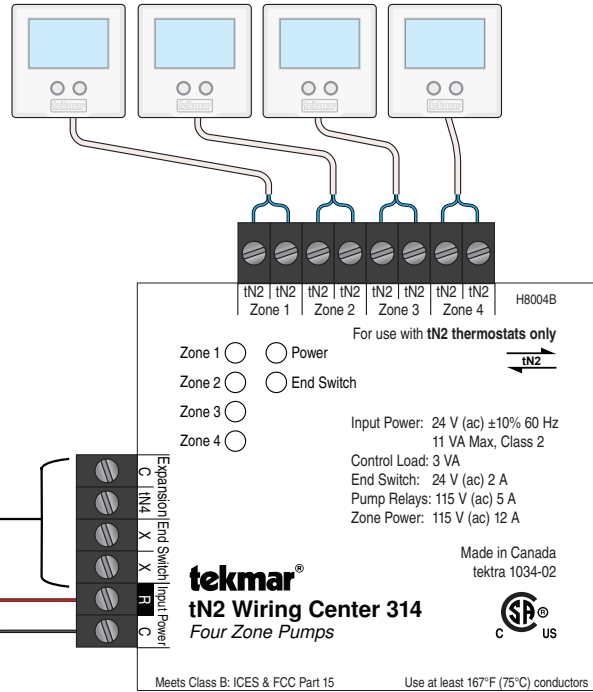
OR



OR

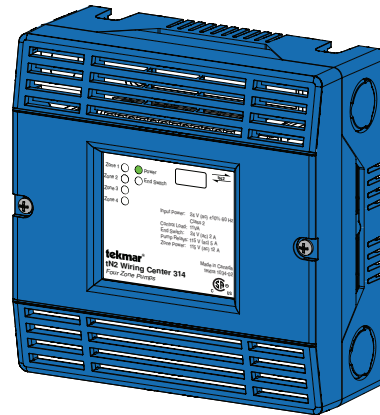
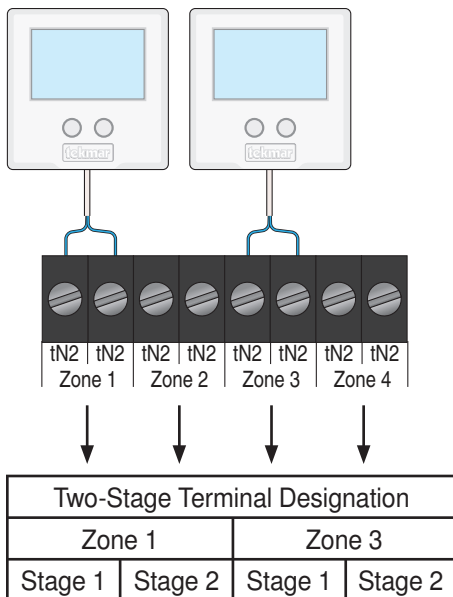


tekmarNet®2 Thermostats



6. Two-Stage Thermostats

7. Install The Cover



tekmar Control Systems Ltd., Canada, tekmar Control Systems, Inc., U.S.A. Head Office: 5100 Silver Star Road, Vernon, B.C. Canada V1B 3K4, 250-545-7749, Fax. 250-545-0650 Web Site: www.tekmarcontrols.com

