

# Engineering Specification

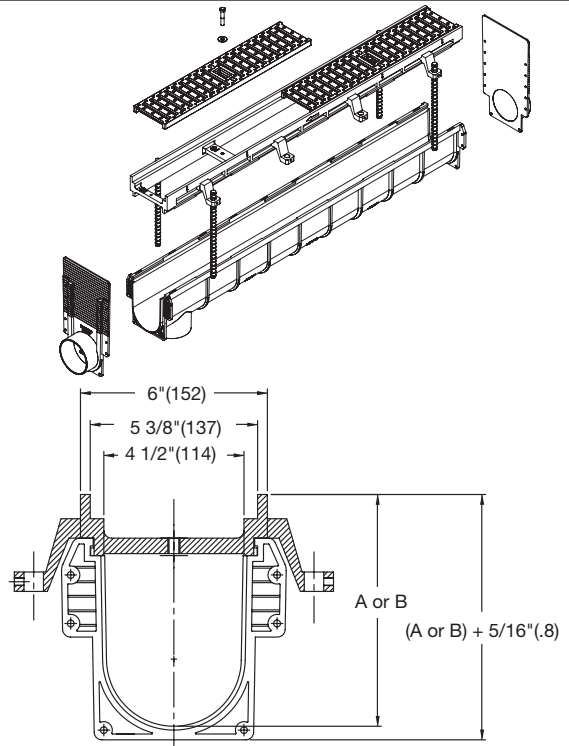
Job Name \_\_\_\_\_  
 Job Location \_\_\_\_\_  
 Engineer \_\_\_\_\_  
 Approval \_\_\_\_\_  
 Tag \_\_\_\_\_

Contractor \_\_\_\_\_  
 Approval \_\_\_\_\_  
 Contractor's P.O. No. \_\_\_\_\_  
 Representative \_\_\_\_\_

## Dead Level® D Pre-Sloped Polypropylene Trench Drain System with Ductile Iron Frame

### Specification

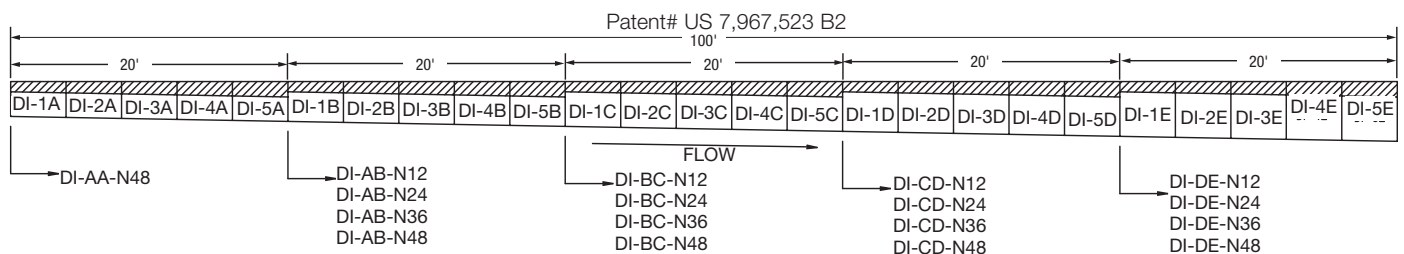
Watts Dead Level® D Pre-Sloped Trench Drain System with 6"(152) wide x 48"(1219) long (standard) ductile iron frame, UV stabilized talc-filled polypropylene channels with integral 4"(102) no hub bottom or end outlet(s). System shall be frame-anchored, with (specify) grating to suit DIN Class (specify) load rating. System to include frame connectors, grate lockdowns, and construction covers. Installation to be performed in accordance with manufacturer's installation instructions.



| Grate Options |                                       |                                  |
|---------------|---------------------------------------|----------------------------------|
| Suffix        | Description                           |                                  |
| -BK           | Stainless Steel Brickslot             | Class E <input type="checkbox"/> |
| -BR           | Decorative Bronze                     | Class B <input type="checkbox"/> |
| -DI           | Ductile Iron                          | Class F <input type="checkbox"/> |
| -DI-ADA       | Ductile Iron ADA                      | Class F <input type="checkbox"/> |
| -GDI          | Galvanized Ductile Iron               | Class F <input type="checkbox"/> |
| -PP           | Polypropylene                         | Class C <input type="checkbox"/> |
| -GP           | Galvanized Perforated                 | Class A <input type="checkbox"/> |
| -GS           | Galvanized Slotted                    | Class A <input type="checkbox"/> |
| -RGP          | Reinforced Galvanized Perforated      | Class E <input type="checkbox"/> |
| -RGS          | Reinforced Galvanized Slotted         | Class E <input type="checkbox"/> |
| -SP           | Stainless Steel Perforated            | Class A <input type="checkbox"/> |
| -SS           | Stainless Steel Slotted               | Class A <input type="checkbox"/> |
| -RSP          | Reinforced Stainless Steel Perforated | Class E <input type="checkbox"/> |
| -RSS          | Reinforced Stainless Steel Slotted    | Class E <input type="checkbox"/> |
| -SCI          | Solid Cast Iron                       | Class F <input type="checkbox"/> |

| Options |  |                          |
|---------|--|--------------------------|
| Suffix  | Description  |                          |
| -B6     | 6"x24"x24" Catch Basin                                 | <input type="checkbox"/> |
| -B6T    | 6"x24"x24" Catch Basin w/Trash Basket                  | <input type="checkbox"/> |
| -B24    | 24"x24"x24" Catch Basin (DI Grate Only)                | <input type="checkbox"/> |
| -B24T   | 24"x24"x24" Catch Basin w/Trash Basket (DI Grate Only) | <input type="checkbox"/> |
| -FB     | Bronze Frame Guard                                     | <input type="checkbox"/> |
| -FG     | Galvanized Steel Frame Guard                           | <input type="checkbox"/> |
| -FS     | Stainless Steel Frame Guard                            | <input type="checkbox"/> |
| -OS     | Outlet Strainer  | <input type="checkbox"/> |
| -VP     | Vandal Proof Grate Lockdowns                           | <input type="checkbox"/> |

**Please refer to watts.com for BAA information on specific models.**



Watts product specifications in U.S. customary units and metric are approximate and are provided for reference only. For precise measurements, please contact Watts Technical Service. Watts reserves the right to change or modify product design, construction, specifications, or materials without prior notice and without incurring any obligation to make such changes and modifications on Watts products previously or subsequently sold.



## Dead Level® D Dimensional Data

| Part #    | Configuration | Length     | Weight (lbs.) | Dim. A          | Dim. B          |
|-----------|---------------|------------|---------------|-----------------|-----------------|
| DI-AA-N48 | Neutral       | 48" (1219) | 31            | 5-5/8" (143)    | 5-5/8" (143)    |
| DI-1A     | Sloped        | 48" (1219) | 31            | 5-5/8" (143)    | 5-15/16" (151)  |
| DI-2A     | Sloped        | 48" (1219) | 38            | 5-15/16" (151)  | 6-1/4" (159)    |
| DI-3A     | Sloped        | 48" (1219) | 40            | 6-1/4" (159)    | 6-9/16" (167)   |
| DI-4A     | Sloped        | 48" (1219) | 43            | 6-9/16" (167)   | 6-7/8" (175)    |
| DI-5A     | Sloped        | 48" (1219) | 45            | 6-7/8" (175)    | 7-3/16" (183)   |
| DI-AB-N12 | Neutral       | 12" (305)  | 9             | 7-3/16" (183)   | 7-3/16" (183)   |
| DI-AB-N24 | Neutral       | 24" (610)  | 18            | 7-3/16" (183)   | 7-3/16" (183)   |
| DI-AB-N36 | Neutral       | 36" (914)  | 26            | 7-3/16" (183)   | 7-3/16" (183)   |
| DI-AB-N48 | Neutral       | 48" (1219) | 32            | 7-3/16" (183)   | 7-3/16" (183)   |
| DI-1B     | Sloped        | 48" (1219) | 32            | 7-3/16" (183)   | 7-1/2" (191)    |
| DI-2B     | Sloped        | 48" (1219) | 39            | 7-1/2" (191)    | 7-13/16" (198)  |
| DI-3B     | Sloped        | 48" (1219) | 41            | 7-13/16" (198)  | 8-1/8" (206)    |
| DI-4B     | Sloped        | 48" (1219) | 44            | 8-1/8" (206)    | 8-7/16" (214)   |
| DI-5B     | Sloped        | 48" (1219) | 46            | 8-7/16" (214)   | 8-3/4" (222)    |
| DI-BC-N12 | Neutral       | 12" (305)  | 9             | 8-3/4" (222)    | 8-3/4" (222)    |
| DI-BC-N24 | Neutral       | 24" (610)  | 18            | 8-3/4" (222)    | 8-3/4" (222)    |
| DI-BC-N36 | Neutral       | 36" (914)  | 26            | 8-3/4" (222)    | 8-3/4" (222)    |
| DI-BC-N48 | Neutral       | 48" (1219) | 32            | 8-3/4" (222)    | 8-3/4" (222)    |
| DI-1C     | Sloped        | 48" (1219) | 33            | 8-3/4" (222)    | 9-1/16" (230)   |
| DI-2C     | Sloped        | 48" (1219) | 40            | 9-1/16" (230)   | 9-3/8" (238)    |
| DI-3C     | Sloped        | 48" (1219) | 42            | 9-3/8" (238)    | 9-11/16" (246)  |
| DI-4C     | Sloped        | 48" (1219) | 45            | 9-11/16" (246)  | 10" (254)       |
| DI-5C     | Sloped        | 48" (1219) | 47            | 10" (254)       | 10-5/16" (262)  |
| DI-CD-N12 | Neutral       | 12" (305)  | 9             | 10-5/16" (262)  | 10-5/16" (262)  |
| DI-CD-N24 | Neutral       | 24" (610)  | 18            | 10-5/16" (262)  | 10-5/16" (262)  |
| DI-CD-N36 | Neutral       | 36" (914)  | 26            | 10-5/16" (262)  | 10-5/16" (262)  |
| DI-CD-N48 | Neutral       | 48" (1219) | 32            | 10-5/16" (262)  | 10-5/16" (262)  |
| DI-1D     | Sloped        | 48" (1219) | 34            | 10-5/16" (262)  | 10-5/8" (270)   |
| DI-2D     | Sloped        | 48" (1219) | 41            | 10-5/8" (270)   | 10-15/16" (278) |
| DI-3D     | Sloped        | 48" (1219) | 43            | 10-15/16" (278) | 11-1/4" (286)   |
| DI-4D     | Sloped        | 48" (1219) | 46            | 11-1/4" (286)   | 11-9/16" (294)  |
| DI-5D     | Sloped        | 48" (1219) | 48            | 11-9/16" (294)  | 11-7/8" (302)   |
| DI-DE-N12 | Neutral       | 12" (305)  | 10            | 11-7/8" (302)   | 11-7/8" (302)   |
| DI-DE-N24 | Neutral       | 24" (610)  | 19            | 11-7/8" (302)   | 11-7/8" (302)   |
| DI-DE-N36 | Neutral       | 36" (914)  | 27            | 11-7/8" (302)   | 11-7/8" (302)   |
| DI-DE-N48 | Neutral       | 48" (1219) | 33            | 11-7/8" (302)   | 11-7/8" (302)   |
| DI-1E     | Sloped        | 48" (1219) | 35            | 11-7/8" (302)   | 12-3/16" (310)  |
| DI-2E     | Sloped        | 48" (1219) | 42            | 12-3/16" (310)  | 12-1/2" (318)   |
| DI-3E     | Sloped        | 48" (1219) | 44            | 12-1/2" (318)   | 12-13/16" (325) |
| DI-4E     | Sloped        | 48" (1219) | 47            | 12-13/16" (325) | 13-1/8" (333)   |
| DI-5E     | Sloped        | 48" (1219) | 49            | 13-1/8" (333)   | 13-7/16" (341)  |

### NOTICE

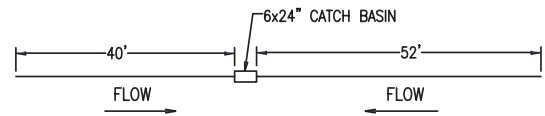
The information contained herein is not intended to replace the full product installation and safety information available or the experience of a trained product installer. You are required to thoroughly read all installation instructions and product safety information before beginning the installation of this product.



## How to Configure & Order Dead Level® Trench System

### 1. Sketch General Layout

For each separate trench configuration show length(s), position of outlet(s), direction of flow(s), and position of catch basins (if required).



### 2. Specify Frame

Ductile Iron  
Polypropylene

### Ordering Code

D or DX  
P

### 3. Specify Length in Feet

(Do not include Catch Basins)

Numeric

### 4. Specify Outlet

Straight Run End Outlet  
Straight Run Center Outlet  
Other Configuration

EO  
CO  
XO

### 5. Specify Grating

Stainless Steel Brickslot  
Decorative Bronze\*  
Ductile Iron  
ADA Ductile Iron  
Galvanized Ductile Iron  
Galvanized Steel Slotted  
Galvanized Steel Perforated  
Stainless Steel Slotted  
Stainless Steel Perforated  
Reinforced Galvanized Steel Slotted  
Reinforced Galvanized Steel Perforated  
Reinforced Stainless Steel Slotted  
Reinforced Stainless Steel Perforated  
Polypropylene

BK  
BR  
DI  
DI-ADA  
GDI  
GS  
GP  
SS  
SP  
RGS  
RGP  
RSS  
RSP  
PP

### 6. Specify Catch Basin

(If Required)  
6x6x24" Catch Basin  
24x24x24" Catch Basin

B6  
B24

### 7. Specify Frame Guards

(If Required)  
Galvanized Steel  
Stainless Steel

FG  
FS

### 8a. Configure Straight Run (EO or CO)

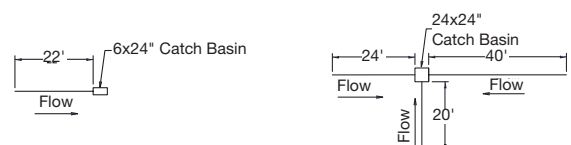
EX. P22-EO-RSS-B6-FS

P = Polypropylene  
22 = Trench Length in Feet  
EO = End Outlet  
RSS = Reinforced Stainless Steel Slotted Grates  
B6 = 6x24x24" Catch Basin  
FS = Stainless Steel Frame Guard

### 8b. Configure Special Run (XO)

EX. D84-XO-DI-B24

D = Ductile Iron Frame  
84 = Trench Length in Feet  
XO = Other Configuration (Provide Sketch or Describe)  
DI = Ductile Iron  
B24 = 24x24x24" Catch Basin



USA: T: (800) 338-2581 • F: (828) 248-3929 • Watts.com

Canada: T: (888) 208-8927 • F: (888) 479-2887 • Watts.ca

Latin America: T: (52) 55-4122-0138 • Watts.com